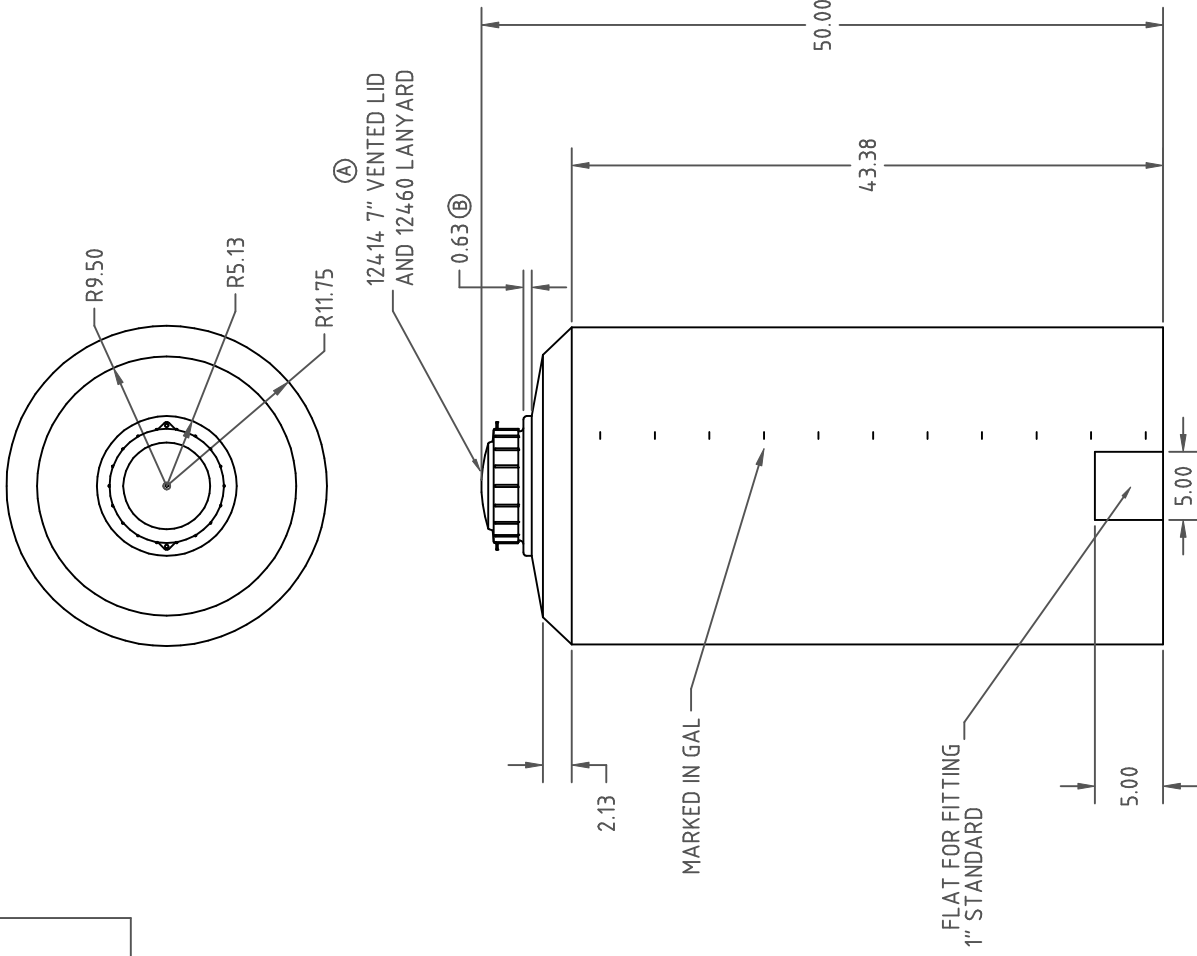


PROPRIETARY DATA

PROPERTY OF ACE ROTO-MOLD MFG., INC. INFORMATION FURNISHED HEREIN IS THE PROPERTY OF ACE ROTO-MOLD MFG., INC. AND SHALL NOT BE USED, DISCLOSED TO OTHERS, OR COPIED WITHOUT THE EXPRESSED WRITTEN CONSENT OF ACE ROTO-MOLD MFG., INC. ALL RIGHTS RESERVED.

VT0075-23


B



REV	DESCRIPTION	DATE	APPRD.
B	ADDED LID BOSS	CCN 14-15	DHJ 8/8/07
A	CHANGE TO 7" LID	CCN 1374	GWC 6/29/07

DRAWN / DATE	DHJ 3/29/05
APPRD. / DATE	GWC 6/29/07
THIRD ANGLE PROJECTION	ANSI 14.5M

MATERIAL / SHOT WEIGHT	HDPE / 28 LBS.
NOTES:	1. BLACK, WHITE, OR YELLOW COLOR 2. NOM. WALL .200

 Ace Roto-Mold A DIVISION OF DEN HARTOG INDUSTRIES, INC.	
CLIENT / DESCRIPTION	75 GALLON VERTICAL TANK
SCALE	NONE
PART NO.	VT0075-23

ALL DIMENSIONS ARE IN DECIMAL INCHES
TOLERANCES UNLESS OTHERWISE SPECIFIED
± 1% @ 68° F